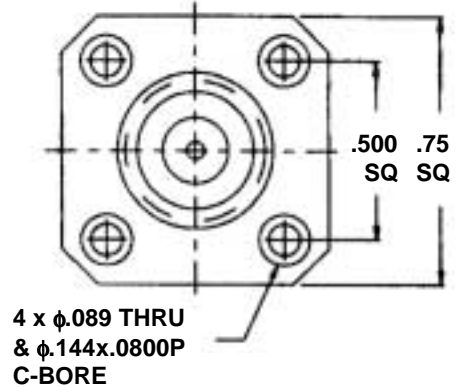
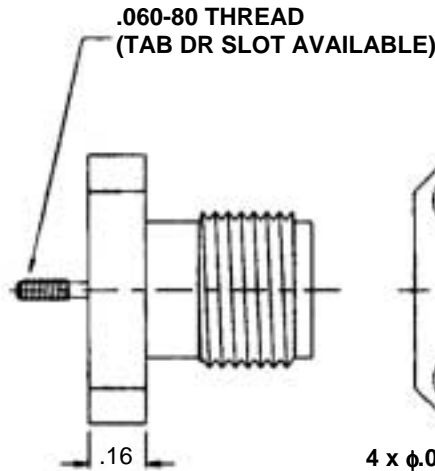




# HIGH POWER HERMETICALLY SEALED CONNECTORS C30H SERIES

DATA SHEET  
No. T134

- HERMETICALLY SEALED
- HIGH POWER
- BROADBAND
- LOW LOSS



## DESCRIPTION

MEC's High Power hermetically sealed connectors cover a broad frequency band with very low VSWR and Insertion Loss. These connectors are used in our hybrid couplers and filters and can be used on any other high power coaxial component. These feature superior mechanical rigidity and captivation of center conductor, as compared to the conventional connector design, protecting the circuit internal to the component. This in turn allows for use in extremely harsh airborne environments.

The TNC version is depicted above with a 0-80 thread. Tab or slotted arrangement is available. The models listed in the table are only a representative sample of MEC's capabilities. These products may be customized to suit individual requirements.

## SPECIFICATIONS

CONNECTOR TYPE	MODEL NUMBER	FREQUENCY RANGE (GHz)	POWER AT HIGHEST FREQUENCY		VSWR (MAX)	INSERTION LOSS TOTAL (dB)
			Pk (KW)	Ave. (W)		
TNC	C30H-T	DC-18.2	6	500	1.1:1	0.06
N	C30H-N	DC-18.2	5	500	1.1:1	0.05
SC	C30H-SC	DC-8.0	14	1,000	1.08:1	0.04

## ORDERING INFORMATION

- (1) Specify contact geometry, frequency, power, environmental and any other special requirements.
- (2) Add suffix -S for Screw in Type (Spark Plug) or -F for Flange Mounted style.

Data subject to change without notice



MICROWAVE ENGINEERING CORPORATION  
1551 OSGOOD STREET, NORTH ANDOVER, MA 01845 • TEL (978) 685-2776 • FAX (978) 975-4363  
Website: [www.microwaveeng.com](http://www.microwaveeng.com), Email: [sales@microwaveeng.com](mailto:sales@microwaveeng.com)