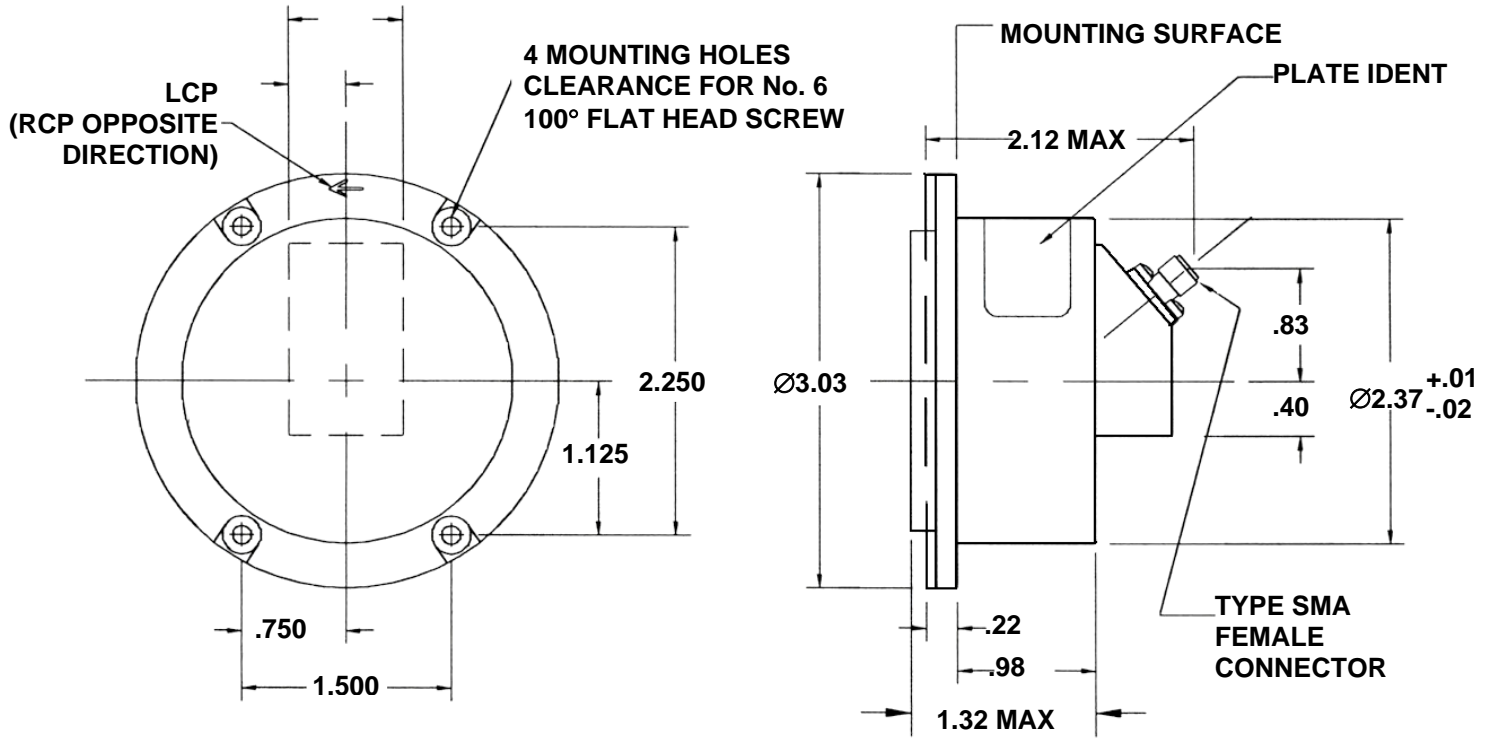




CAVITY BACKED SPIRAL ANTENNAS (C390-188, C390-223)

DATA SHEET
No. T141



SPECIFICATIONS:

Model Number	C390-188	C390-223
Frequency	2-18 GHz	2-18 GHz
Gain	-6 to 2 dBiL	-6 to 2 dBiL
Nominal 3-dB Beamwidth	80 °	80 °
Beam Squint	< 5 °	< 5 °
CW Power	5 watts	5 watts
Polarization	LCP	RCP
Maximum Axial Ratio	1.5 dB	1.5 dB
Maximum VSWR	2.5:1	2.5:1
Input Connector	SMA	SMA
Weight (Max)	5 oz	5 oz

