



# DOUBLE-RIDGE WAVEGUIDE CIRCULATORS

## R140 SERIES

DATA SHEET  
No.T38D

- HIGH POWER
- OCTAVE BANDWIDTH

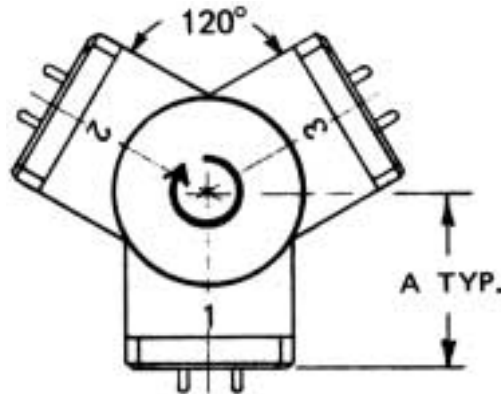
### DESCRIPTION

The R140-Series offers broadband circulators of moderate power in the most commonly used single and double-ridge waveguides.

The circulator consists of a Y-junction containing all necessary ferrite, dielectrics, magnets and adequate shielding so that no special operating or installation precautions are required.

Frequency bandwidths can be made up to an octave and as high as 2.2:1. However, power handling varies inversely with bandwidth due to limitations of available ferrite materials.

Besides the standard models listed below, MEC, with its extensive in-house facilities for high power and environmental testing, has developed numerous custom designs to withstand higher CW and peak powers at elevated temperatures and altitudes.



### SPECIFICATIONS

MODEL NO.	FREQUENCY RANGE (GHz)	WAVEGUIDE SIZE	POWER		VSWR (MAX.)	INSERTION LOSS (dB)	ISOLATION (TYPICAL)	DIMENSION A (IN. ± .03)
			AVERAGE W) (1)	PEAK (KW) (2)				
R145	18.0 – 40.0	WRD180C24	20	.2	2.0	1.0	12	1.2
R146	11.0 - 26.5	WRD110C24	40	.4	1.8	.8	13	1.4
R 140-L	8.0 - 16.0	WRD750D24	200	4	1.4	.4	15	1.5
R140	8.0 - 18.0		100			.5		
R 147-L	7.0 - 16.0	WRD650D28	200	4		.4		1.5
R147	8.0 – 16.0		100			.4		
R141	4.8 - 10.0	WRD475D24	600W CW	-		.5		3.2
R142	4.0 - 8.0	WRD350D24	600W CW	-		.5		

(1) Average applies at 110°C rise above ambient

(2) Peak applies at 14.7 PSIA air (Sea Level) ambient

### ORDERING INFORMATION

(1) Order by model No.

(2) Units may be supplied with coaxial connectors on any port in-line or at 90 ° with slight degradation in performance.

(3) Other Double-Ridge waveguide sizes, flanges, and special mounting provisions available on request.

Data subject to change without notice



MICROWAVE ENGINEERING CORPORATION  
1551 OSGOOD STREET, NORTH ANDOVER, MA 01845 • TEL (978) 685-2776 • FAX (978) 975-4363  
Website: [www.microwaveeng.com](http://www.microwaveeng.com), Email: [sales@microwaveeng.com](mailto:sales@microwaveeng.com)